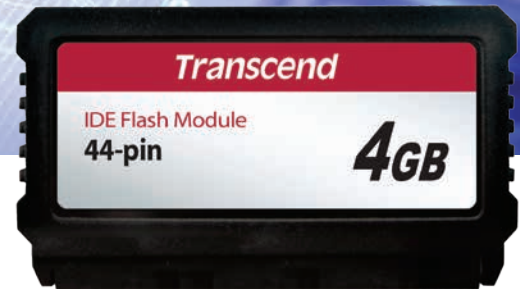


## Embedded Solutions



## PATA Flash Module

# PTM720

44 Pin Vertical

Transcend's 44-pin PATA PTM720 Flash Modules can be inserted directly to the PATA (IDE) interface of a motherboard to replace conventional 2.5" hard disk drives. Ideal for use as bootable drives, the 44-pin PATA PTM720 Flash Module is an easy solution for integrating SSD storage technology into laptop-based legacy systems.

## Features

- RoHS compliant products
- Support Security command
- Support S.M.A.R.T (Self-defined)
- Fully compatible with devices and OS that support the IDE standard (pitch = 2.00mm)
- Built-in ECC function assures high reliability of data transfer
- Supports up to Ultra DMA Mode 0 to 5
- Supports PIO Mode 0 to 4
- SLC NAND Flash

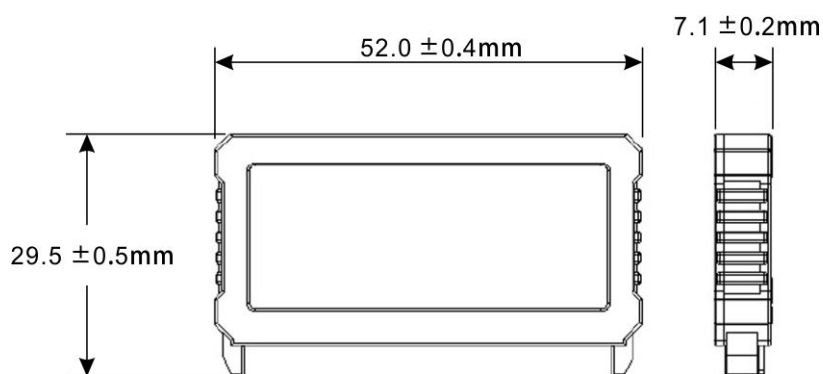
## Ordering Information

512MB	TS512MPTM720
1GB	TS1GPTM720
2GB	TS2GPTM720
4GB	TS4GPTM720

## Specification

Appearance	Dimensions (Max.)	52.0 mm x 29.5 mm x 7.2 mm (2.05" x 1.16" x 0.28")
	Pin	44 pin
Interface	Bus Interface	PATA
Storage	Flash Type	SLC NAND flash
	Capacity	512 MB / 1 GB / 2 GB / 4 GB
Operating Environment	Operating Voltage	3.3V±5% or 5V±10%
	Operating Temperature	0°C (32°F) ~ 70°C (158°F)
	Storage Temperature	-40°C (-40°F) ~ 85°C (185°F)
	Humidity	0% ~ 95%
	Shock	1500 G, 0.5 ms, 3 axis
Power	Vibration (Operating)	3 G (peak-to-peak), 5 Hz ~ 800 Hz (frequency)
	Power Consumption (Operation)	0.9 watt(s)
Performance*	Read Speed (Max.)	39 MB/s
	Write Speed (Max.)	42 MB/s
	Mean Time Between Failures (MTBF)	1,000,000 hour(s)
Warranty	Warranty	Three-year Limited Warranty
Note	* Speed may vary due to host hardware, software, usage, and storage capacity.	

## Mechanical Specification



Product specifications are subject to change without notice. Pictures shown may differ from actual products. When used as a storage capacity unit, one terabyte (TB) = one trillion bytes. Total accessible capacity varies depending on operating environment. Due to the complexity and variety of industrial applications, Transcend cannot guarantee 100% compatibility with all platforms and under all scenarios. For special applications and environments, it is strongly suggested that you contact Transcend beforehand for clarification.



Please feel free to contact us with any special requests you might have.

Tel: +886-2-2792-8000    [www.transcend-info.com](http://www.transcend-info.com)