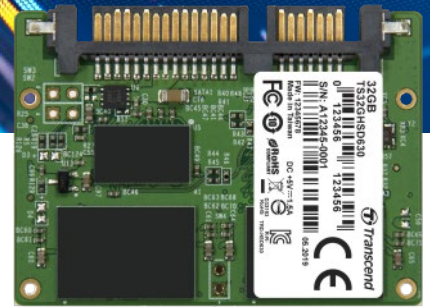


Embedded Solutions

Half-Slim SSDs SATA III 6Gb/s HSD630



Transcend's SATA II 3Gb/s HSD630 half-slim SSD delivers peak performance at an industrial-grade standard, yet is significantly smaller than standard 2.5" form factor hard disk drives. SATA II 3Gb/s half-slim SSD modules undergo extensive reliability testing to ensure the utmost in quality, perfect for truly demanding applications, such as industrial control systems, medical equipment, mobile devices, and POS terminals.

Features

- Compliant with JEDEC MO-297
- RoHS compliant
- Fully compatible with devices and OS that support the SATA 3.0Gb/s standard
- Built-in ECC (Error Correction Code) functionality
- Power Shield
- Garbage Collection
- Supports Security Commands
- Supports S.M.A.R.T. function
- Hardware Purge and Write Protect

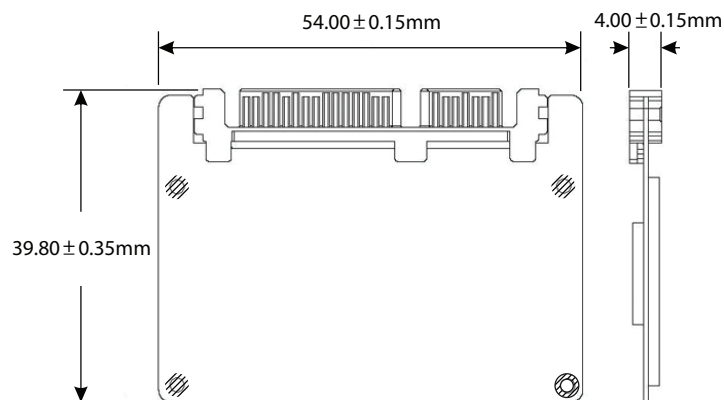
Ordering Information

8GB	TS8GHSD630
32GB	TS32GHSD630

Specifications

Appearance	Dimensions (Max.)	54 mm x 39.8 mm x 4.1 mm (2.13" x 1.57" x 0.16")
	Weight (Max.)	11 g (0.39 oz)
	mSATA Type	MO-297
	Pin	7+15 pin
	Form Factor	Half-slim
Interface	Bus Interface	SATA II 3Gb/s
Storage	Flash Type	MLC NAND flash
	Capacity	8 GB/32 GB
Operating Environment	Operating Voltage	5V±5%
	Operating Temperature	0°C (32°F) ~ 70°C (158°F)
	Storage Temperature	-40°C (-40°F) ~ 85°C (185°F)
	Humidity	0% ~ 95%
	Shock	1500 G, 0.5 ms, 3 axis
	Vibration (Operating)	3 G (peak-to-peak), 5 Hz ~ 800 Hz (frequency)
Power	Vibration (Non-operating)	5 G (peak-to-peak), 5 Hz ~ 800 Hz (frequency)
	Power Consumption (Operation)	1.21 watt(s)
Performance	Power Consumption (Sleep)	0.26 watt(s)
	Sequential Read/Write (CrystalDiskMark, max.)	Read: 205 MB/s; write: 45 MB/s
	4K Random Read/Write (IOMeter, max.)	Read: 14,800 IOPS; write: 3,580 IOPS
	Mean Time Between Failures (MTBF)	1,000,000 hour(s)
Warranty	Terabytes Written (Max.)	70 TB
	Certificate	CE/FCC/BSMI
Note	Warranty	Three-year Limited Warranty
		• Speed may vary due to host hardware, software, usage, and storage capacity.

Mechanical Dimensions



Product specifications are subject to change without notice. Pictures shown may differ from actual products. Total accessible capacity varies depending on operating environment. Due to the complexity and variety of industrial applications, Transcend cannot guarantee 100% compatibility with all platforms and under all scenarios. For special applications and environments, it is strongly suggested that you contact Transcend beforehand for clarification.



Please feel free to contact us with any special requests you might have.
Tel: +886-2-2792-8000 www.transcend-info.com

