

Embedded Solutions



USB Flash Memory JF170

Transcend SLC USB Flash Memory features a compact, portable design that can be used in industrial, medical, and military applications where reliability and data retention are crucial. Industrial-grade USB Flash Memory is built to endure severe temperatures, shock, and intensive read/write cycles and features high reliability and extended endurance.

Features

- Manufactured with high quality SLC NAND flash chips
- Supports USB 2.0 interface
- Lightweight design for easy plug-and-play installation
- Exclusive Transcend Elite data management software

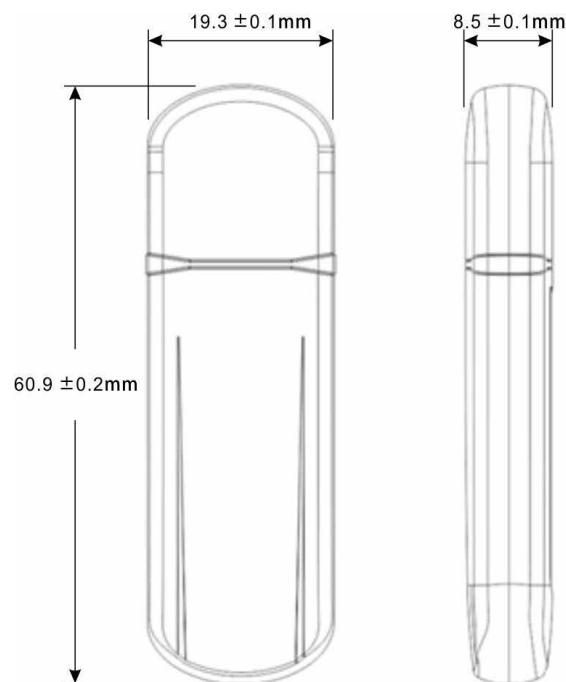
Ordering Information

512MB	TS512MJF170
1GB	TS1GJF170
2GB	TS2GJF170

Specification

Appearance	Dimensions (Max.)	60.9 mm x 19.3 mm x 8.5 mm (2.4" x 0.76" x 0.33")
Interface	Connection Interface	USB 2.0
	USB Type	USB Type-A
Storage	Flash Type	SLC NAND flash
	Capacity	512 MB / 1 GB / 2 GB
Operating Environment	Operating Voltage	5V±10%
	Operating Temperature	0°C (32°F) ~ 70°C (158°F)
	Storage Temperature	-40°C (-40°F) ~ 85°C (185°F)
	Shock	1500 G, 0.5 ms, 3 axis
Power	Power Consumption (Operation)	1 watt(s)
Performance*	Read Speed (Max.)	16 MB/s
	Write Speed (Max.)	12 MB/s
Warranty	Certificate	CE / FCC / BSMI
	Warranty	Three-year Limited Warranty
Note	* Speed may vary due to host hardware, software, usage, and storage capacity.	

Mechanical Specification



Product specifications are subject to change without notice. Pictures shown may differ from actual products. When used as a storage capacity unit, one terabyte (TB) = one trillion bytes. Total accessible capacity varies depending on operating environment. Due to the complexity and variety of industrial applications, Transcend cannot guarantee 100% compatibility with all platforms and under all scenarios. For special applications and environments, it is strongly suggested that you contact Transcend beforehand for clarification.



Please feel free to contact us with any special requests you might have.

Tel: +886-2-2792-8000 www.transcend-info.com