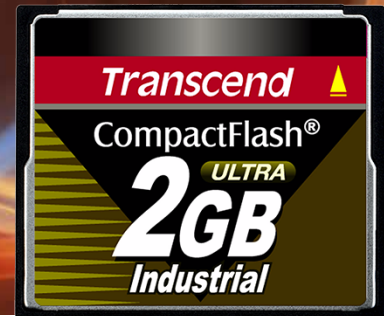


Embedded Solutions



CompactFlash Cards

Industrial Temp CF100I CF Card

Wide Temperature

Built extra-rugged with excellent temperature flexibility and high performance, Transcend's CF100I Industrial Temp CF cards are specifically designed for industrial use and mission-critical applications.

Features

- CompactFlash Specification Version 4.1 Compliant
- RoHS compliant product
- Support S.M.A.R.T (Self-defined)
- Support Security Command
- Support Global Wear-Leveling, Static Data Refresh, Early Retirement, and Erase Count Monitor functions to extend product life
- Operation Modes: PC Card Memory, PC Card IO, True IDE
- True IDE Mode supports: UDMA0-4, MDMA0-4, PIO0-6
- True IDE Mode: Fixed Disk (Default)
- PC Card Mode: Fixed Disk (Default)

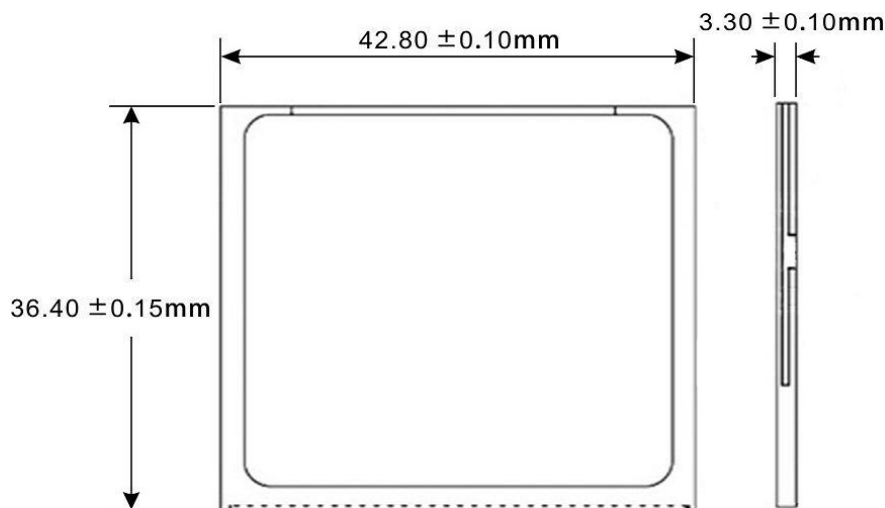
Ordering Information

1GB	TS1GCF100I
2GB	TS2GCF100I

Specifications

Appearance	Dimensions	42.8 mm x 36.4 mm x 3.3 mm (1.69" x 1.43" x 0.13")
	Pin	50 pin
	Form Factor	Compact flash card
Storage	Flash Type	SLC NAND flash
	Capacity	1 GB/2 GB
Operating Environment	Operating Voltage	3.3V±5% or 5V±10%
	Operating Temperature	-40°C (-40°F) ~ 85°C (185°F)
	Storage Temperature	-55°C (-67°F) ~ 100°C (212°F)
	Humidity	0% ~ 95%
	Shock	Acceleration: 490 m/s ² (standard holding time: 11 ms, semi-sine wave, velocity change: 3.44 m/s)
	Vibration (Operating)	20 G (peak-to-peak), 20 Hz ~ 2,000 Hz (frequency)
Power	Power Consumption (Max.)	0.33 watt(s)
Performance	Read Speed (Max.)	25 MB/s
	Write Speed (Max.)	10 MB/s
	Mean Time Between Failures (MTBF)	4,000,000 hour(s)
Warranty	Warranty	Three-year Limited Warranty
Note	• Speed may vary due to host hardware, software, usage, and storage capacity.	

Mechanical Dimensions



Product specifications are subject to change without notice. Pictures shown may differ from actual products. Total accessible capacity varies depending on operating environment. Due to the complexity and variety of industrial applications, Transcend cannot guarantee 100% compatibility with all platforms and under all scenarios. For special applications and environments, it is strongly suggested that you contact Transcend beforehand for clarification.



Please feel free to contact us with any special requests you might have.
Tel: +886-2-2792-8000 www.transcend-info.com

