

## Embedded Solutions



### PCIe M.2 SSDs

# MTE720T

Transcend's M.2 2280 SSD MTE720T features the 112-layer 3D NAND flash, PCI Express (PCIe) Gen 4 x4 interface, and an 8-channel controller, compatible with NVMe Express (NVMe) 1.4 specifications to achieve never-before-seen transfer speeds. Its built-in DRAM cache allows faster random speeds while the 30μ" gold finger PCB, Corner Bond technology, and anti-sulfur resistor guarantee its reliability in harsh conditions. The MTE720T is fully tested in-house, operating stably in an extended operating temperature ranging from -20°C~75°C.

### Hardware Features

- Compliant with NVMe specification 1.4
- Compliant with PCI Express specification 4.0
- PCIe Gen 4 x4 interface
- DDR4 DRAM Cache embedded
- Endurance: 3K P/E cycles (Program/Erase cycles) guaranteed

### Ordering Information

1TB	TS1TMTE720T
2TB	TS2TMTE720T

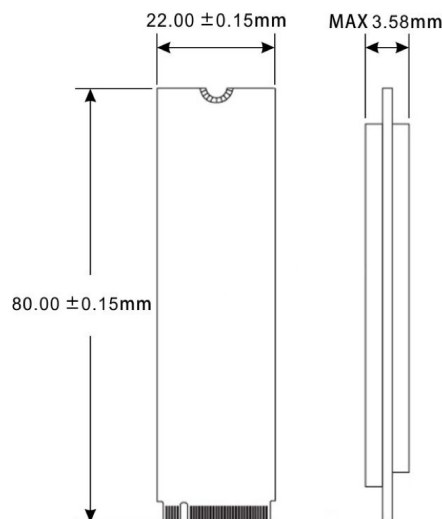
### Firmware Features

- Built-in LDPC ECC (Error Correction Code) functionality
- Dynamic thermal throttling
- Supports S.M.A.R.T. function to conduct health monitoring, analysis, and reporting for storage devices
- Full drive encryption with Advanced Encryption Standard (AES) (optional)

## Specifications

<b>Appearance</b>	Dimensions	80 mm x 22 mm x 3.58 mm (3.15" x 0.87" x 0.14")
	Weight	10 g (0.35 oz)
	M.2 Type	2280-D2-M (Double-sided)
	Form Factor	M.2 2280
<b>Interface</b>	Bus Interface	NVMe PCIe Gen4 x4
<b>Storage</b>	Capacity	1 TB / 2 TB
	Flash Type	112-layer 3D NAND flash
<b>Operating Environment</b>	Operating Voltage	3.3V±5%
	Operating Temperature	Extended Temp. -20°C (-4°F) ~ 75°C (167°F)
	Storage Temperature	-55°C (-67°F) ~ 85°C (185°F)
	Humidity	5% ~ 95%
	Shock	1500 G, 0.5 ms, 3 axis
	Vibration (Operating)	20 G (peak-to-peak), 7 Hz ~ 2000 Hz (frequency)
<b>Power</b>	Power Consumption (Operation)	5.75 watt(s)
	Power Consumption (IDLE)	0.68 watt(s)
<b>Performance</b>	Sequential Read/Write (CrystalDiskMark)	Read: up to 7,200 MB/s Write: up to 6,500 MB/s
	4K Random Read/Write (IOmeter)	Read: up to 530,000 IOPS Write: up to 420,000 IOPS
	Mean Time Between Failures (MTBF)	3,000,000 hour(s)
	Terabytes Written (TBW)	up to 1,560 TBW
	Drive Writes Per Day (DWPD)	0.71 (3 yrs)
<b>Warranty</b>	Certificate	CE / FCC / BSMI / UKCA
	Warranty	Three-year Limited Warranty

## Mechanical Dimensions



Product specifications are subject to change without notice. Pictures shown may differ from actual products. Total accessible capacity varies depending on operating environment. Due to the complexity and variety of industrial applications, Transcend cannot guarantee 100% compatibility with all platforms and under all scenarios. For special applications and environments, it is strongly suggested that you contact Transcend beforehand for clarification.