

Embedded Solutions



SD Cards SD/SDHC220I

Transcend's SLC Mode technology is a cost-effective solution that offers performance close to that of SLC NAND flash. SDC220I SD Cards combine the advantages of high performance and exceptional endurance at an affordable price. The wide temperature(-40°C ~ 85°C) capability and high compatibility make them ideal for demanding industrial applications such as POS terminals, medical devices as well as portable devices equipped with an SD memory card slot.

Hardware Features

- Compliant with SD specification 3.01
- Compliant with RoHS 2.0 standards
- Supports Transcend Scope Pro software
- Electrostatic protection (ESD IEC 61000-4-2)
- Promised operational reliability in a wide temperature range (from -40°C to 85°C)

Ordering Information

2GB	TS2GSDC220I
4GB	TS4GSDC220I

Firmware Features

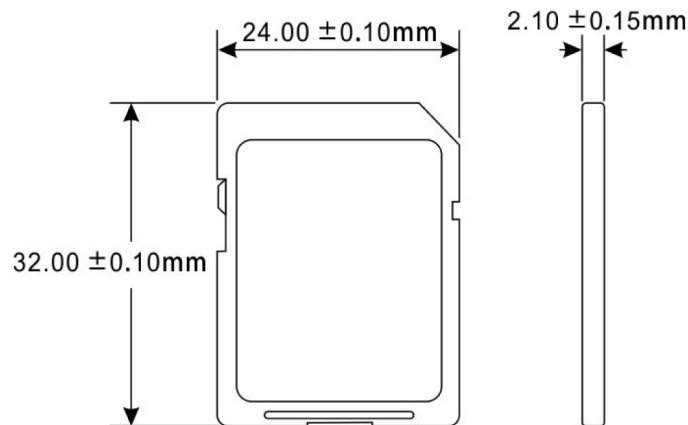
- Wear-Leveling
- Early Move
- Supports S.M.A.R.T. function to conduct health monitoring, analysis, and reporting for storage devices
- Built-in ECC (Error Correction Code) functionality

*Scope Pro is only available when used with the [RDF5](#) card reader.*TS2GSDC220I is compliant with SD specification 2.0.

Specifications

Appearance	Dimensions	24 mm x 32 mm x 2.1 mm (0.94" x 1.26" x 0.08")
	Form Factor	SD flash card
Storage	Flash Type	MLC NAND flash (SLC mode)
	Capacity	2 GB / 4 GB
Operating Environment	Operating Voltage	2.7V ~ 3.6V
	Drop Test	1.5m free fall
	Operating Temperature	Wide Temp. -40°C (-40°F) ~ 85°C (185°F)
	Storage Temperature	-40°C (-40°F) ~ 85°C (185°F)
	Humidity	0% ~ 95%
	Shock	Acceleration: 490 m/s ² (standard holding time: 11 ms, semi-sine wave, velocity change: 3.44 m/s)
	Vibration (Operating)	20 G (peak-to-peak), 20 Hz ~ 2,000 Hz (frequency)
Power	Power Consumption (Max.)	0.72 watt(s)
Performance	Read Speed (Max.)	up to 22 MB/s
	Write Speed (Max.)	up to 20 MB/s
	Terabytes Written (TBW)	up to 66 TBW
Warranty	Certificate	CE / FCC / BSMI / UKCA
	Warranty	Three-year Limited Warranty

Mechanical Dimensions



Product specifications are subject to change without notice. Pictures shown may differ from actual products. Total accessible capacity varies depending on operating environment. Due to the complexity and variety of industrial applications, Transcend cannot guarantee 100% compatibility with all platforms and under all scenarios. For special applications and environments, it is strongly suggested that you contact Transcend beforehand for clarification.