

Embedded Solutions



microSD Cards

microSDXC450I

Utilizing top-quality 3D NAND flash rated to endure 3K P/E cycles, Transcend's microSDXC 450I memory cards combine the advantages of high performance and exceptional endurance at an affordable price, offering wide temperature tolerance (-40°C to 85°C) for industrial use. The built-in LDPC ECC function guarantees enhanced reliability, making them ideal for write-intensive applications such as medical devices, surveillance systems, and POS terminals.

Hardware Features

- Compliant with UHS-I
- Compliant with Video Speed Class 30 (V30)
- Compliant with Application Performance Class 2 (A2)
- Endurance: 3K P/E cycles (Program/Erase cycles) guaranteed
- Supports Transcend Scope Pro software

Firmware Features

- Wear-Leveling
- Built-in LDPC ECC (Error Correction Code) functionality
- Early Move
- Supports S.M.A.R.T. function to conduct health monitoring, analysis, and reporting for storage devices

Ordering Information

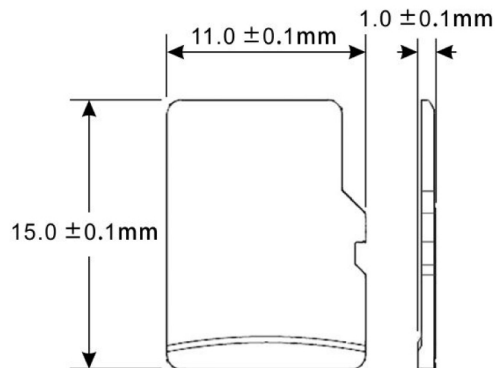
64GB	TS64GUSD450I
128GB	TS128GUSD450I

*Scope Pro is only available when used with the [RDF5](#) card reader.

Specifications

Appearance	Dimensions	11 mm x 15 mm x 1 mm (0.43" x 0.59" x 0.04")
	Form Factor	microSD flash card
Storage	Flash Type	3D NAND flash
	Capacity	64 GB / 128 GB
Operating Environment	Operating Voltage	2.7V ~ 3.6V
	Drop Test	1.5m free fall
	Operating Temperature	Wide Temp. -40°C (-40°F) ~ 85°C (185°F)
	Storage Temperature	-40°C (-40°F) ~ 85°C (185°F)
	Humidity	0% ~ 95%
	Shock	Acceleration: 490 m/s ² (standard holding time: 11 ms, semi-sine wave, velocity change: 3.44 m/s)
	Vibration (Operating)	20 G (peak-to-peak), 10 Hz ~ 2,000 Hz (frequency)
Performance	Read Speed (Max.)	up to 100 MB/s
	Write Speed (Max.)	up to 85 MB/s
	Terabytes Written (TBW)	up to 332 TBW
Warranty	Certificate	CE / FCC / UKCA
	Warranty	Three-year Limited Warranty

Mechanical Dimensions



Product specifications are subject to change without notice. Pictures shown may differ from actual products. Total accessible capacity varies depending on operating environment. Due to the complexity and variety of industrial applications, Transcend cannot guarantee 100% compatibility with all platforms and under all scenarios. For special applications and environments, it is strongly suggested that you contact Transcend beforehand for clarification.