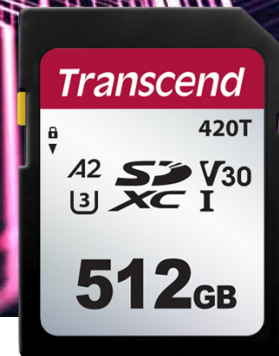


Embedded Solutions



SD Cards

SDHC/SDXC420T

3K P/E cycles

Utilizing top-quality 3D NAND Flash and rated to endure 3K P/E cycles, Transcend's SDXC/SDHC 420T memory cards combine the advantages of high performance and exceptional endurance at an affordable price, making them ideal for demanding industrial applications such as POS terminals as well as portable devices equipped with an SD memory card slot.

Features

- Compliant with UHS-I
- Compliant with SD specification 6.1
- Supports UHS-I Video Speed Class V30
- Supports Application Performance Class 2 (A2)
- Compliant with RoHS 2.0 standards
- Endurance: 3K P/E cycles (Program/Erase cycles) guaranteed
- Built-in ECC (Error Correction Code) functionality
- Electrostatic protection (ESD IEC 61000-4-2)

Ordering Information

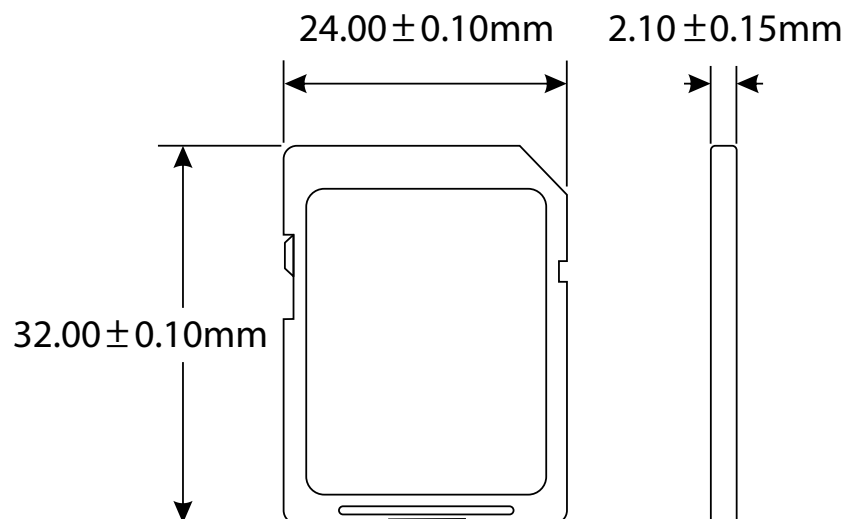
16GB	TS16GSDC420T
32GB	TS32GSDC420T
64GB	TS64GSDC420T
128GB	TS128GSDC420T
256GB	TS256GSDC420T
512GB	TS512GSDC420T

Note: Transcend's SDHC 420T 16GB features 3D NAND flash, UHS-I, and a 1K P/E cycle endurance rating

Specifications

Appearance	Dimensions	24 mm x 32 mm x 2.1 mm (0.94" x 1.26" x 0.08")
	Form Factor	SD flash card
Storage	Flash Type	3D NAND flash
	Capacity	16 GB/32 GB/64 GB/128 GB/256 GB/512GB
Operating Environment	Operating Voltage	2.7V ~ 3.6V
	Drop Test	1.5m free fall
	Operating Temperature	-25°C (-13°F) ~ 85°C (185°F)
	Storage Temperature	-40°C (-40°F) ~ 85°C (185°F)
	Humidity	0% ~ 95%
	Shock	Acceleration: 490 m/s ² (standard holding time: 11 ms, semi-sine wave, velocity change: 3.44 m/s)
	Vibration (Operating)	20 G (peak-to-peak), 20 Hz ~ 2,000 Hz (frequency)
Power	Power Consumption (Max.)	0.5 watt(s)
Performance	Read Speed (Max.)	100 MB/s
	Write Speed (Max.)	85 MB/s
	Terabytes Written (Max.)	1,350 TB
Warranty	Certificate	CE/FCC
	Warranty	Three-year Limited Warranty
Note	• Speed may vary due to host hardware, software, usage, and storage capacity.	

Mechanical Dimensions



Product specifications are subject to change without notice. Pictures shown may differ from actual products. Total accessible capacity varies depending on operating environment. Due to the complexity and variety of industrial applications, Transcend cannot guarantee 100% compatibility with all platforms and under all scenarios. For special applications and environments, it is strongly suggested that you contact Transcend beforehand for clarification.



Please feel free to contact us with any special requests you might have.
Tel: +886-2-2792-8000 www.transcend-info.com