

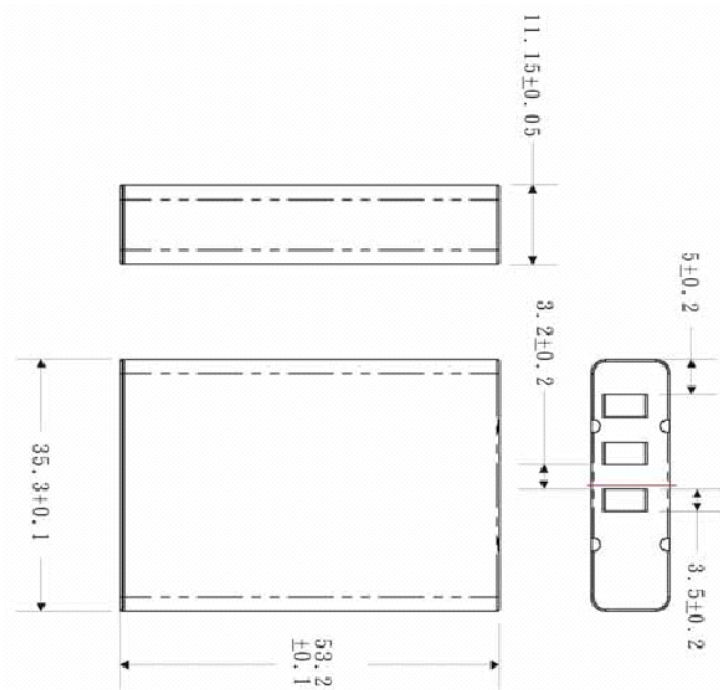
TS-BL04M

400mAh Lithium Ion Polymer Battery

Description

TS-BL04M is a 1800mAh Lithium Ion Polymer rechargeable battery.

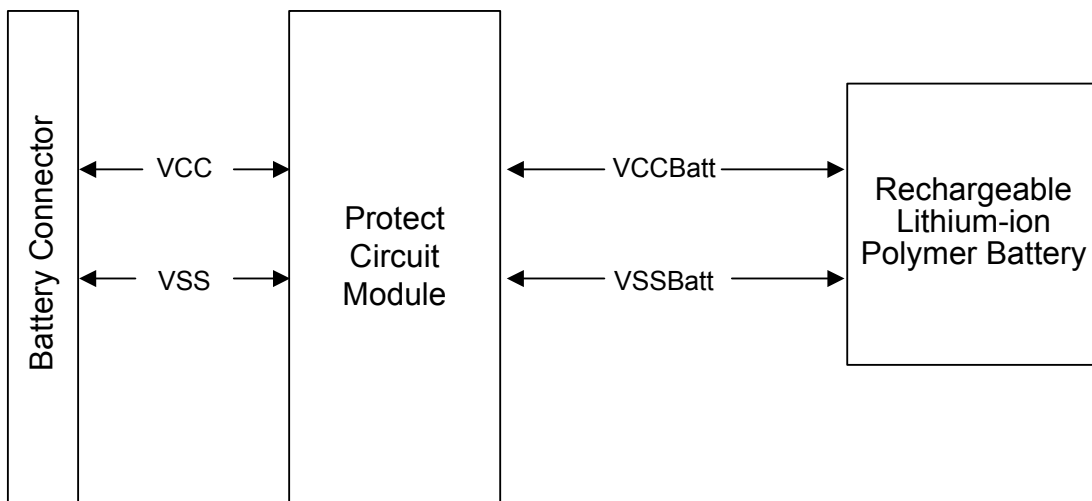
Outline



MAIN SPECIFICATIONS

- Type: Rechargeable lithium ion battery
- Nominal output voltage: 3.75 V DC
- Nominal capacity: 1800mAh
- Charging/discharging count: Approx. 500 cycles
(Variable depending on the operating conditions)
- Ambient temperatures:
 - 0°C to 40°C for charging,
 - -20°C to 60°C for operation,
 - -20°C to 50°C for storage.
- Dimensions: Approx. 53.2 (W) x 35.3 (D) x 11.1 (H) mm.
- Weight: less than 45g

Block Diagram



Pinouts

Pin No.	Pin Name
01	VCC
02	VSS

Pin Identification

Symbol	Function
VSS	Ground
VCC	Power input

Electrical Characteristics

Absolute Maximum Ratings

PARAMETER		Rating	Note
Nominal Capacity		1800mAh	Discharge:0.2C
Minimum Capacity		1700mAh	Discharge:0.2C
Cut Off Voltage		2.75V	
Nominal Voltage		3.7V	
Charge Current	Standard	0.2CmA	
	Rapid	1.0CmA	
Charge Voltage		4.2V	
Maximum Charge Voltage		4.25V	
Charge Time		Approx. 3h	Charge Current: 1700mA
Maximum Charge Current		1800 mA	
Maximum Discharge Current		3.0 A	
Operating Temperature and Humidity Range	Charge	0~40°C, 85%RH. Max.	
	Discharge	-20~60°C, 85%RH. Max.	
Storage Temperature		-20~50°C	
Recommended Storage Temperature		20°C	

Above technical information is based on industry standard data and tested to be reliable. However, Transcend makes no warranty, either expressed or implied, as to its accuracy and assumes no liability in connection with the use of this product. Transcend reserves the right to make changes in specifications at any time without prior notice.