

Embedded Solutions



SATA III M.2 SSDs MTS462K

Featuring the SATA III 6Gb/s interface and utilizing Transcend's SLC Mode flash optimization technology, Transcend's MTS462K M.2 SSD delivers incredible cost performance and SLC-grade reliability in a compact M.2 form factor. It is ideal for high-performance computing and for embedded verticals where space is a concern, fully addressing the requirements of small form factor systems. The MTS462K M.2 SSD is built with DRAM cache for reliable speeds, outstanding cache performance, and firmware optimization capability for even greater flexibility.

Hardware Features

- Compliant with RoHS 2.0 standards
- Space-saving M.2 form factor (42mm) – ideal for mobile computing devices
- DDR3 DRAM Cache embedded
- High-quality MLC NAND flash and SLC mode (also called SuperMLC) for exceptional endurance and reliability
- Power Shield (PS) to ensure data transfer integrity and minimize data corruption in the drive during an abnormal power outage

Firmware Features

- NCQ command for better performance
- TRIM command for better performance
- Supports S.M.A.R.T. function to conduct health monitoring, analysis, and reporting for storage devices
- Advanced Global Wear-Leveling and Block management for reliability
- Built-in BCH ECC (Error Correction Code) functionality

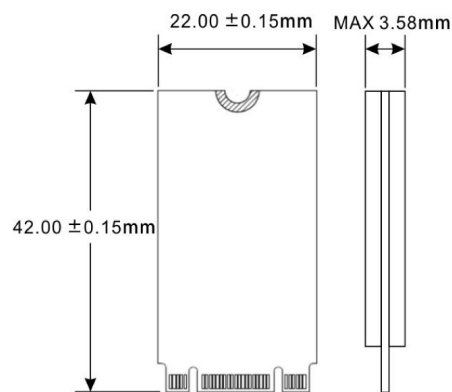
Ordering Information

8GB	TS8GMTS462K
16GB	TS16GMTS462K

Specifications

Appearance	Dimensions	42.0 mm x 22.0 mm x 3.58 mm (1.65" x 0.87" x 0.14")
	Weight	4 g (0.14 oz)
	M.2 Type	2242-D2-B-M (Double-sided)
	Form Factor	M.2 2242
Interface	Bus Interface	SATA III 6Gb/s
Storage	Capacity	8 GB / 16 GB
	Flash Type	MLC NAND flash (SLC mode)
Operating Environment	Operating Voltage	3.3V±5%
	Operating Temperature	Standard Temp. 0°C (32°F) ~ 70°C (158°F)
	Storage Temperature	-40°C (-40°F) ~ 85°C (185°F)
	Humidity	5% ~ 95%
	Shock	1500 G, 0.5 ms, 3 axis
	Vibration (Operating)	20 G (peak-to-peak), 7 Hz ~ 2,000 Hz (frequency)
Power	Power Consumption (Operation)	0.8 watt(s)
	Power Consumption (Sleep)	0.5 watt(s)
Performance	Sequential Read/Write (CrystalDiskMark)	Read: up to 300 MB/s Write: up to 150 MB/s
	4K Random Read/Write (IOmeter)	Read: up to 35,000 IOPS Write: up to 35,000 IOPS
	Mean Time Between Failures (MTBF)	3,000,000 hour(s)
	Terabytes Written (TBW)	up to 260 TBW
	Drive Writes Per Day (DWPD)	15.2 (3 yrs)
Warranty	Certificate	CE / UKCA / FCC / BSMI
	Warranty	Three-year Limited Warranty

Mechanical Dimensions



Product specifications are subject to change without notice. Pictures shown may differ from actual products. Total accessible capacity varies depending on operating environment. Due to the complexity and variety of industrial applications, Transcend cannot guarantee 100% compatibility with all platforms and under all scenarios. For special applications and environments, it is strongly suggested that you contact Transcend beforehand for clarification.