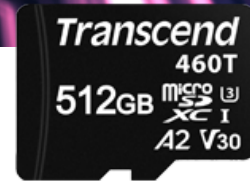


## Embedded Solutions



microSD Cards

# microSDXC460T & 460I

Utilizing top-quality 3D NAND Flash and rated to endure 3K P/E cycles, Transcend's microSDXC 460T memory cards combine the advantages of high performance and exceptional endurance at an affordable price. They are ideal for write-intensive applications such as medical devices, surveillance systems, and POS terminals.

Transcend also offers the microSDXC 460I with wide temperature (-40°C ~ 85°C) capabilities to ensure sustained functionality and optimal reliability.

## Hardware Features

- Electrostatic protection (ESD IEC 61000-4-2)
- Compliant with Application Performance Class 2 (A2)
- Compliant with Video Speed Class 30 (V30)
- Endurance: 3K P/E cycles (Program/Erase cycles) guaranteed
- Compliant with SD specification 6.1

## Firmware Features

- Wear-Leveling
- Supports S.M.A.R.T. function to conduct health monitoring, analysis, and reporting for storage devices
- Early Move
- Built-in LDPC ECC (Error Correction Code) functionality

## Ordering Information

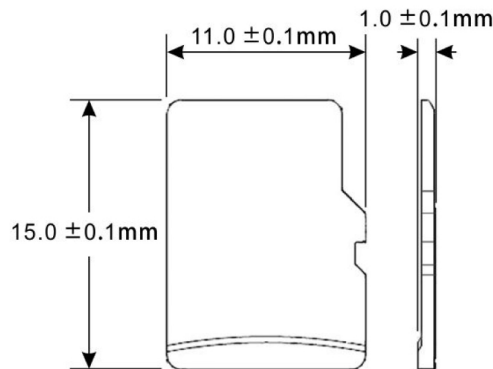
64GB	TS64GUSD460T TS64GUSD460I
128GB	TS128GUSD460T TS128GUSD460I
256GB	TS256GUSD460T TS256GUSD460I
512GB	TS512GUSD460T

\*Scope Pro is only available when used with the [RDF5](#) card reader.\*Transcend's microSDXC 460T & 460I 64GB cards meet UHS-I Speed Class 1 (U1), Video Speed Class 10 (V10), and Application Performance Class 1 (A1) standards.

## Specifications

<b>Appearance</b>	Dimensions	11 mm x 15 mm x 1 mm (0.43" x 0.59" x 0.04")
	Form Factor	microSD flash card
<b>Storage</b>	Flash Type	112-layer 3D NAND flash
	Capacity	64 GB / 128 GB / 256 GB / 512 GB
<b>Operating Environment</b>	Operating Voltage	2.7V ~ 3.6V
	Drop Test	1.5m free fall
	Operating Temperature	Standard Temp. -25°C (-13°F) ~ 85°C (185°F) Wide Temp. -40°C (-40°F) ~ 85°C (185°F)
	Storage Temperature	-40°C (-40°F) ~ 85°C (185°F)
	Humidity	0% ~ 95%
	Shock	Acceleration: 490 m/s <sup>2</sup> (standard holding time: 11 ms, semi-sine wave, velocity change: 3.44 m/s)
	Vibration (Operating)	20 G (peak-to-peak), 20 Hz ~ 2,000 Hz (frequency)
<b>Power</b>	Power Consumption (Max.)	0.5 watt(s)
<b>Performance</b>	Read Speed (Max.)	up to 100 MB/s
	Write Speed (Max.)	up to 80 MB/s
	Terabytes Written (TBW)	up to 1343 TBW
<b>Warranty</b>	Certificate	CE / FCC / UKCA
	Warranty	Three-year Limited Warranty

## Mechanical Dimensions



Product specifications are subject to change without notice. Pictures shown may differ from actual products. Total accessible capacity varies depending on operating environment. Due to the complexity and variety of industrial applications, Transcend cannot guarantee 100% compatibility with all platforms and under all scenarios. For special applications and environments, it is strongly suggested that you contact Transcend beforehand for clarification.