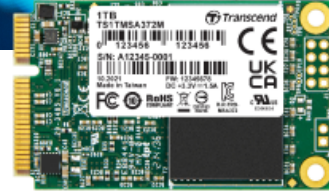


## Embedded Solutions



mSATA SSDs

# MSA372M & MSA372I

Supporting the Serial ATA interface and built around a powerful controller, Transcend's SATA III 6Gb/s MSA372M mSATA SSD delivers blazing-fast performance, and long-term reliability. The compact mSATA form factor is just one-eighth the size of a standard 2.5" SSD, making it perfect for use in space-constricted portable devices such as Ultrabooks, tablet PCs, and slim servers.

Transcend also offers the MSA372I with wide temperature (-40°C ~ 85°C) capabilities to ensure sustained functionality, enhanced endurance and optimal reliability in mission-critical applications.

## Hardware Features

- DDR3 DRAM Cache embedded
- Compliant with RoHS 2.0 standards
- MLC NAND flash
- Promised operational reliability in a wide temperature range (from -40°C to 85°C)
- Key components fortified by default with Corner Bond technology

## Firmware Features

- Advanced Global Wear-Leveling and Block management for reliability
- Built-in BCH ECC (Error Correction Code) functionality
- Supports S.M.A.R.T. function to conduct health monitoring, analysis, and reporting for storage devices
- Power-saving DevSleep (Device Sleep) mode
- Advanced Garbage Collection

## Ordering Information

16GB	TS16GMSA372I TS16GMSA372M
------	------------------------------

32GB	TS32GMSA372I TS32GMSA372M
------	------------------------------

64GB	TS64GMSA372I TS64GMSA372M
------	------------------------------

128GB	TS128GMSA372I TS128GMSA372M
-------	--------------------------------

256GB	TS256GMSA372I TS256GMSA372M
-------	--------------------------------

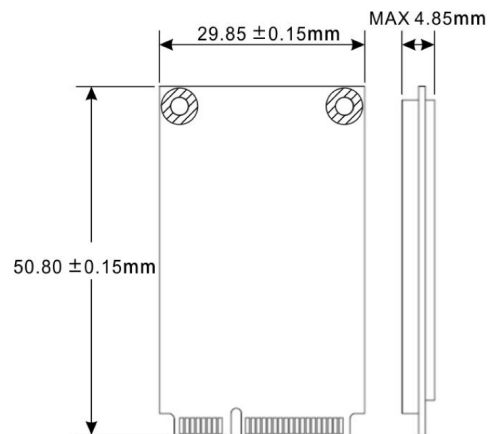
512GB	TS512GMSA372I TS512GMSA372M
-------	--------------------------------

1TB	TS1TMSA372I TS1TMSA372M
-----	----------------------------

## Specifications

<b>Appearance</b>	Dimensions	50.8 mm x 29.85 mm x 4.85 mm (2" x 2.18" x 0.19")
	Weight	8 g (0.28 oz)
	Pin Count	52 pin
	Form Factor	mSATA (MO-300A)
<b>Interface</b>	Bus Interface	SATA III 6Gb/s
<b>Storage</b>	Capacity	16 GB / 32 GB / 64 GB / 128 GB / 256 GB / 512 GB / 1 TB
	Flash Type	MLC NAND flash
<b>Operating Environment</b>	Operating Voltage	3.3V±5%
	Operating Temperature	Standard Temp. 0°C (32°F) ~ 70°C (158°F)
		Wide Temp. -40°C (-40°F) ~ 85°C (185°F)
	Storage Temperature	-55°C (-67°F) ~ 85°C (185°F)
	Humidity	5% ~ 95%
	Shock	1500 G, 0.5 ms, 3 axis
	Vibration (Operating)	20 G (peak-to-peak), 7 Hz ~ 2,000 Hz (frequency)
<b>Power</b>	Power Consumption (Operation)	2.64 watt(s)
	Power Consumption (IDLE)	0.4 watt(s)
<b>Performance</b>	Sequential Read/Write (CrystalDiskMark)	Read: Up to 550 MB/s Write: Up to 450 MB/s
	4K Random Read/Write (IOmeter)	Read: Up to 70,000 IOPS Write: Up to 75,000 IOPS
	Mean Time Between Failures (MTBF)	2,500,000 hour(s)
	Terabytes Written (TBW)	Up to 2360 TBW
	Drive Writes Per Day (DWPD)	2.6 (3 yrs)
<b>Warranty</b>	Certificate	CE / UKCA / FCC / BSMI
	Warranty	Three-year Limited Warranty

## Mechanical Dimensions



Product specifications are subject to change without notice. Pictures shown may differ from actual products. Total accessible capacity varies depending on operating environment. Due to the complexity and variety of industrial applications, Transcend cannot guarantee 100% compatibility with all platforms and under all scenarios. For special applications and environments, it is strongly suggested that you contact Transcend beforehand for clarification.