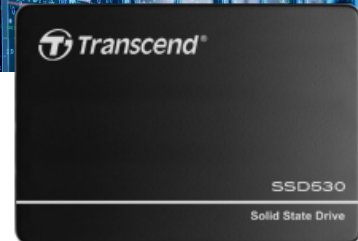


Embedded Solutions



2.5" SATA SSDs

SSD530K

Transcend's SSD530K features the SATA III 6Gb/s interface, 3D NAND flash memory, and Transcend's exclusive SLC mode technology. Combined, these provide superior reliability and endurance nearly equivalent to SLC, yet at a cost-effective price. The SSD530K comes equipped with a DRAM cache for fast access, and is made to operate well in extended temperature (-20°C~75°C), ideal for embedded applications, such as embedded automation computers, engineering machines, and fanless PCs. Reliable speeds and customized functions cater to the requirements of various embedded system applications.

Hardware Features

- High-quality 3D NAND flash and SLC mode for exceptional endurance and reliability
- Endurance: 100K P/E cycles (Program/Erase cycles) guaranteed
- DDR3 DRAM Cache embedded
- Promised operational reliability in an extended temperature range (from -20°C to 75°C)
- Power Shield (PS) to ensure data transfer integrity and minimize data corruption in the drive during an abnormal power outage

Firmware Features

- Advanced Global Wear-Leveling and Block management for reliability
- Built-in LDPC ECC (Error Correction Code) functionality
- Power-saving DevSleep (Device Sleep) mode
- Dynamic thermal throttling
- Early Move

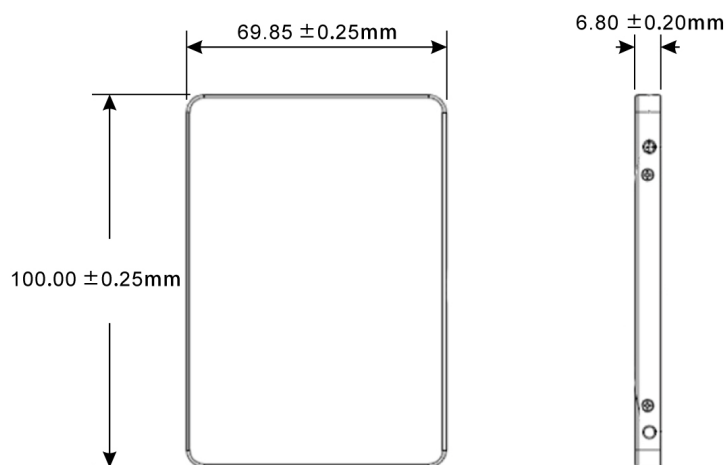
Ordering Information

64GB	TS64GSSD530K
128GB	TS128GSSD530K

Specifications

Appearance	Dimensions	100 mm x 69.85 mm x 6.8 mm (3.94" x 2.75" x 0.27")
	Weight	54 g (1.90 oz)
	Form Factor	2.5"
Interface	Bus Interface	SATA III 6Gb/s
Storage	Flash Type	3D NAND flash (SLC mode)
	Capacity	64 GB / 128 GB
Operating Environment	Operating Voltage	5V±5%
	Operating Temperature	Extended Temp. -20°C (-4°F) ~ 75°C (167°F)
	Storage Temperature	-55°C (-67°F) ~ 85°C (185°F)
	Humidity	5% ~ 95%
	Shock	1500 G, 0.5 ms, 3 axis
	Vibration (Operating)	20 G (peak-to-peak), 7 Hz ~ 2000 Hz (frequency)
Power	Power Consumption (Operation)	2.8 watt(s)
	Power Consumption (Sleep)	0.4 watt(s)
Performance	Sequential Read/Write (CrystalDiskMark)	Read: up to 560 MB/s Write: up to 490 MB/s
	4K Random Read/Write (IOMeter)	Read: up to 83,000 IOPS Write: up to 88,000 IOPS
	Mean Time Between Failures (MTBF)	3,000,000 hour(s)
	Terabytes Written (TBW)	up to 6,400 TBW
	Drive Writes Per Day (DWPD)	45.7 (3 yrs)
Warranty	Certificate	CE / FCC / BSMI
	Warranty	Three-year Limited Warranty

Mechanical Dimensions



Product specifications are subject to change without notice. Pictures shown may differ from actual products. Total accessible capacity varies depending on operating environment. Due to the complexity and variety of industrial applications, Transcend cannot guarantee 100% compatibility with all platforms and under all scenarios. For special applications and environments, it is strongly suggested that you contact Transcend beforehand for clarification.